



SERVICE BULLETIN

Bulletin No. 04-12
December 19, 2012

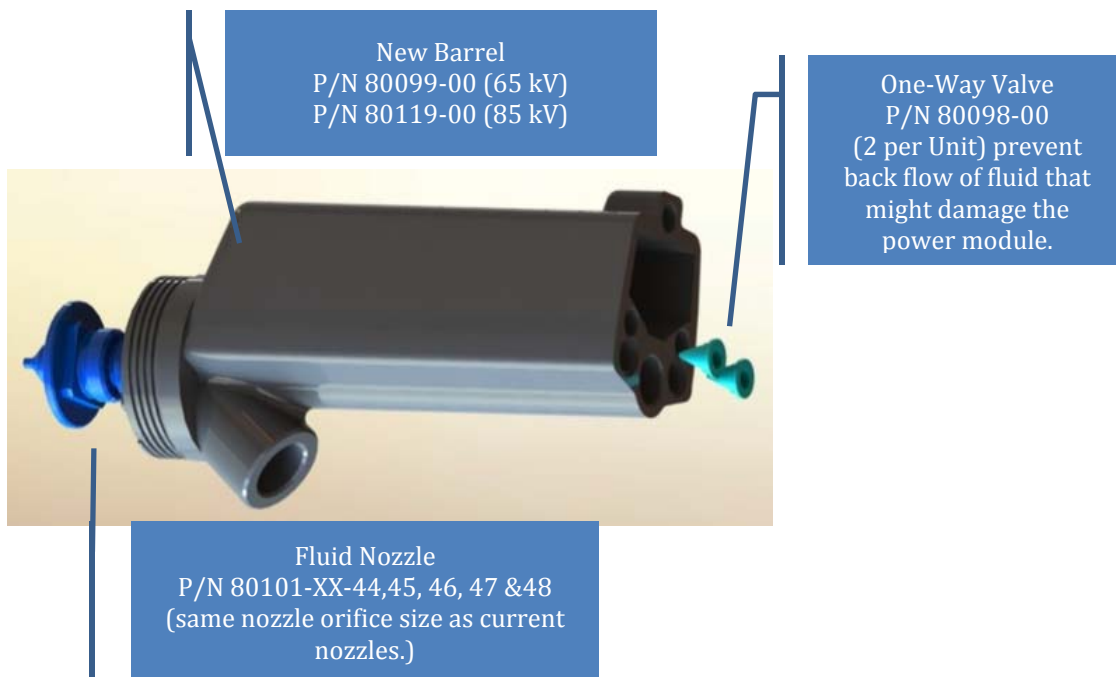
To: Ransburg Distributors
Subject: Vector Solo Low Pressure Cordless Hand Gun Enhancements

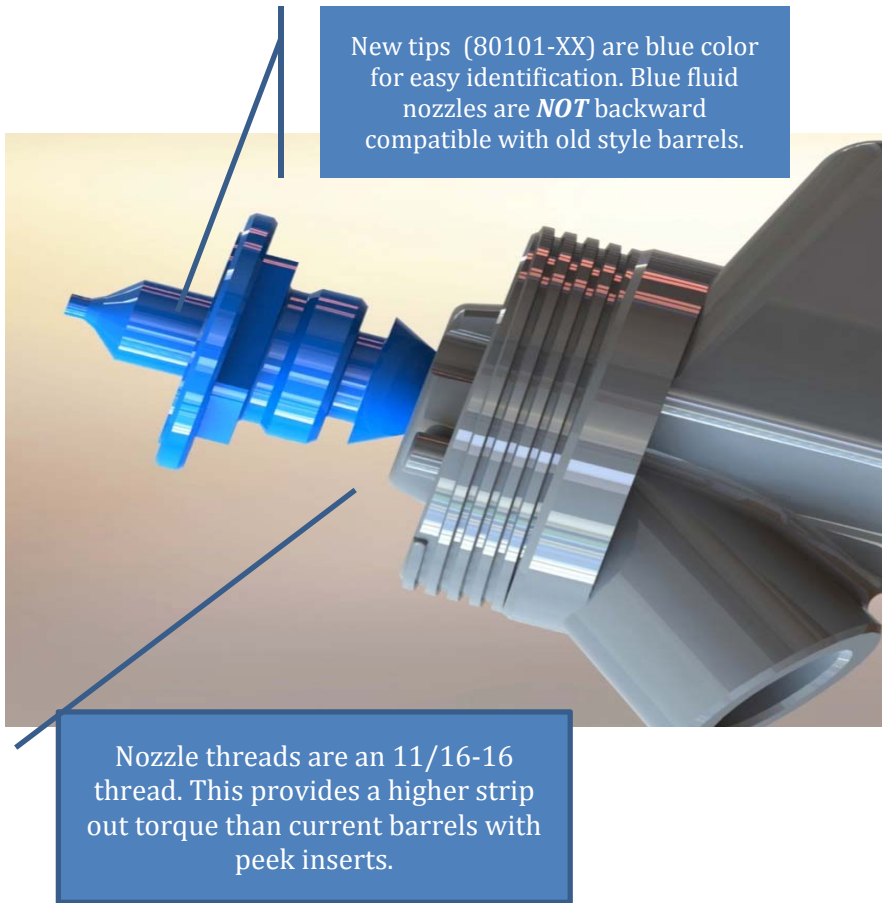
Effective January 7, 2013, on Vector Solo 65kV (model 79965), and January 18, 2013 on Vector Solo 85kV (models 79900 & 79901), Solo hand guns will start shipping with enhanced features. All new parts are assigned new part numbers and the fluid nozzles are color coded for easy identification in the field. *Please reference Sales Bulletin SB-12-05.*

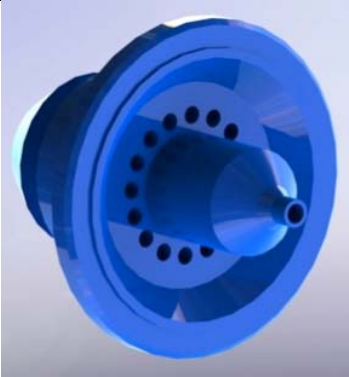
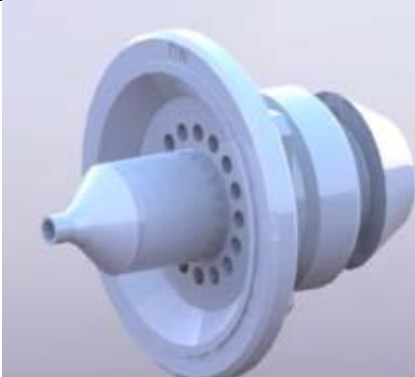
The following enhancements have been made to the Solo low pressure hand gun line for improved performance, durability and reliability:

- New stronger 11/16-16 nozzle threads for durability and longer life
- New one-way valve to prevent the back flow of fluid with minimal pressure drop.
- Improved turbine sealing to eliminate solvent invasion.

All old style barrel, components and fluid nozzles will still be available for sale as spare parts; but will not ship with top assemblies. All top assemblies (P/N 79965, 79900 & 79901) will ship with new barrel and fluid nozzles as noted above.

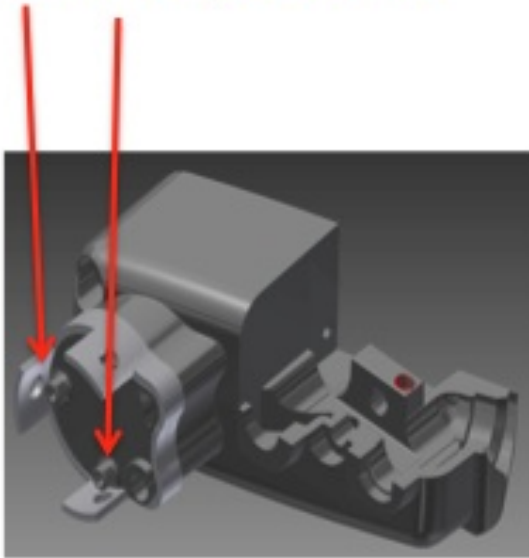




<p>New Blue Tips (P/N 80101-XX) are NOT backwards compatible and can only be used on new style barrel (P/N 80099-00 & 80119-00)</p>	<p>Old style White tips (P/N 79377-XX) can only be used on old style barrel (P/N 79906-00 & 79736-00) and CANNOT be used on new style barrels (P/N 80099-00 & 80119-00).</p>
 <p>New Fluid Nozzle (P/N 80101-XX)</p>	 <p>Old Style Fluid Nozzle</p>

Over the past year, two changes have been made to the power module to prevent solvent from entering the exhaust area, or the gasket blowing out.

1. A the lap joint has been added which does not allow a direct path in where the gasket is split. The holes of the gasket must now be pushed over onto the raised bosses on the bottom of the power module.



2. A new Sealant has been added along all module joints, eliminating solvent invasion.



New stronger nozzle/barrel design eliminates the need for a peek insert, making the new barrel easy to identify.

